

PROJECT NAME	
CATALOG NUMBER	
NOTES	
FIXTURE TYPE	

PRODUCT DESCRIPTION

The LM Series 2X4FT LED flat panel delivers high lumens of exceptional 82+ CRI light while achieving 125 lumen per watt. It is available in 4000k, 5000k DLC CCT options and has 0-10V dimming available, which is perfect for new construction applications or retrofitting existing fluorescent troffer light fixtures with recessed installation, widely used in office spaces, major retail stores, education, government, healthcare, and hospitality.

PERFORMANCE SUMMARY

Efficacy: 125 LPW

Delivered Light Output: 6032 Lumens (4000K)

Input Power: 50 Watts

CRI: Ra > 82

DLC CCT Options: 4000k, 5000k

Input Voltage: 100-277 VAC

Input current: 0.5-0.18A

THD: <20% (at 277V)

Power Factor > 0.90 (277V)

Diver output: DC42V 1.08A

Standard Warranty: 5 Years

Standard Lifetime: Designed to L70 minimum 50,000 hours

Mounting: Recessed

Dim on 0-10V dimmer switch, 10%-100% smooth linear dimming

Signal Current : 0.89mA

Recommended Dimmers: DIVA-DVTV (LUTRON)

Dimensions: L 47.7" x W 23.7" x H 1.8"

Fixture measurement and weight are round up, pls contact your representative for exact data.

REGULATORY & VOLUNTARY QUALIFICATIONS

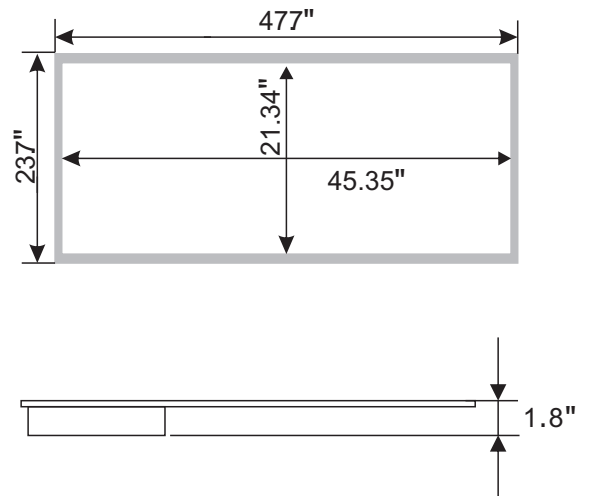
ETL Listed Yes

DLC Qualifications Yes

LM79 Report Yes

Damp Rated Yes

LM Series 2x4FT DLC Premium Version

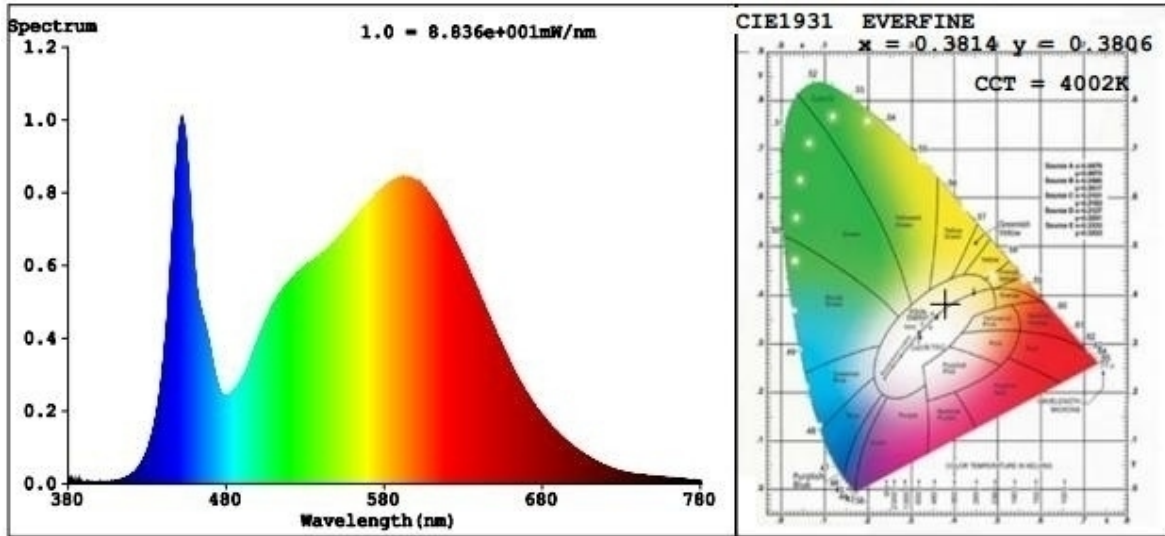


ORDER INFORMATION

EXAMPLE: LM24-DM5P

Product category	Size	Dimming	Fixture wattage	DLC CCT	Version
LM	24=2'X4'	D=0-10v Dimming	M=50W	40=4000k 50=5000k	P=Premium Version

SPECTRAL POWER DISTRIBUTION & CHROMATICITY DIAGRAM

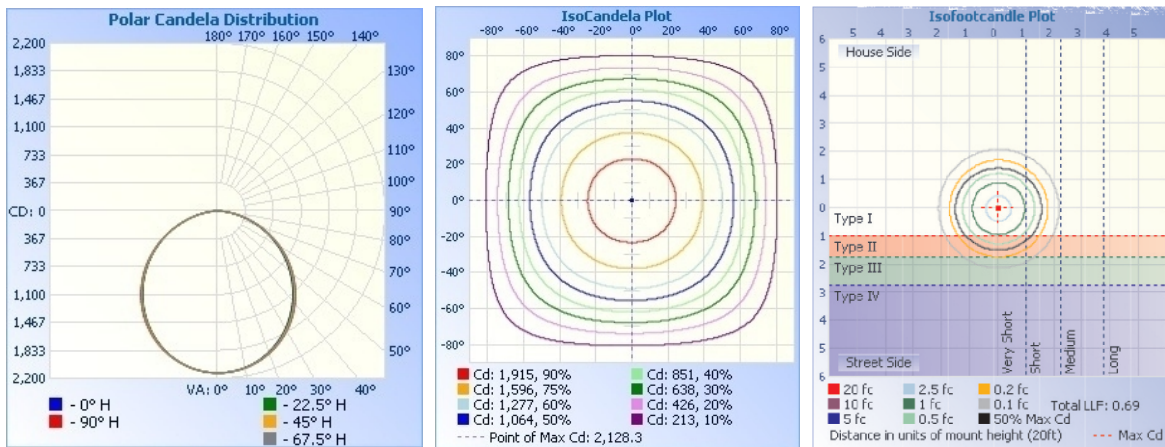


ZONAL LUMEN TABULATION

Zonal Lumen Summary		
Zone	Lumens	%Luminaire
0-30	1650.4	27.4%
0-40	2,701.0	44.8%
0-60	4,765.2	79%
60-90	1,265.7	21%
70-100	527.2	8.7%
90-120	0.6	0%
0-90	6,030.8	100%
90-180	1.1	0%
0-180	6,032.0	100%

Lumens Per Zone					
Zone	Lumens	% Total	Zone	Lumens	% Total
0-10	201.3	3.3%	90-100	02	0%
10-20	576.3	9.6%	100-110	02	0%
20-30	872.8	14.5%	110-120	02	0%
30-40	1,050.6	17.4%	120-130	01	0%
40-50	1,086.8	18.0%	130-140	01	0%
50-60	977.4	16.2%	140-150	01	0%
60-70	738.6	12.2%	150-160	01	0%
70-80	417.1	6.9%	160-170	01	0%
80-90	109.9	1.8%	170-180	00	0%

PHOTOMETRIC DATA



Height	Illuminance at a Distance	
	Center Beam fc	Beam Width
17.0ft	7.36 fc	49.2 ft 51.4 ft
34.0ft	1.84 fc	98.3 ft 102.8 ft
51.0ft	0.82 fc	147.5 ft 154.2 ft
68.0ft	0.46 fc	196.7 ft 205.6 ft
85.0ft	0.29 fc	245.8 ft 257.0 ft
102.0ft	0.20 fc	295.0 ft 308.4 ft

Vert. Spread: 110.7°
Horiz. Spread: 113.0°