

# Lumira LED Lighting

PROJECT NAME	
CATALOG NUMBER	
NOTES	
FIXTURE TYPE	

## PRODUCT DESCRIPTION

The clean and elegant design of FSM series 2X2FT led flat panel light provides a modern alternative to traditional 2x2ft fluorescent troffer, reaching up to 114lm/w. The unique internal driver and only 1.09" thickness allows you the ability to install the LED light just about anywhere, especially for the small and confined spaces, including recessed, suspended, surface mounted installations methods. It is available for 0-10v dimming with 5 years warranty.

## PERFORMANCE SUMMARY

Efficacy: 114 LPW

Delivered Light Output: 4400 Lumens (3500K)

Input Power: 40Watts

CRI: Ra>80

DLC CCT Options: 3500k, 4000k, 5000k

Input Voltage: 100-277 VAC

Input current: 0.27-0.09A

THD: <20% (at 277V)

Standard Warranty: 5 Years

Standard Lifetime: Designed to L70 minimum 50,000 hours

Installation Options: Recessed, Suspending, Surface mounted

0-10V dimming

Signal Current: 0.72 mA

Recommended Dimmers: DIVA-DVTV (LUTRON), NOVA T NTSTV-DV (LUTRON), IP710-DL (LEVITON)

Dimensions: L 23.7" x W 23.7" x H 1.09"

Fixture measurement and weight are round up, pls contact your representative for exact data.

## REGULATORY & VOLUNTARY QUALIFICATIONS

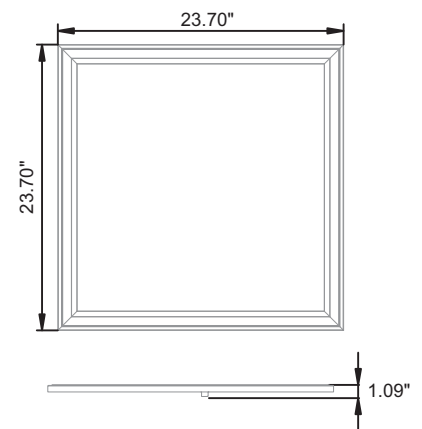
ETL Listed Yes

DLC Qualifications Yes

LM79 Report Yes

Damp rated Yes

## FSM22-DM-XXE DLC Standard Version



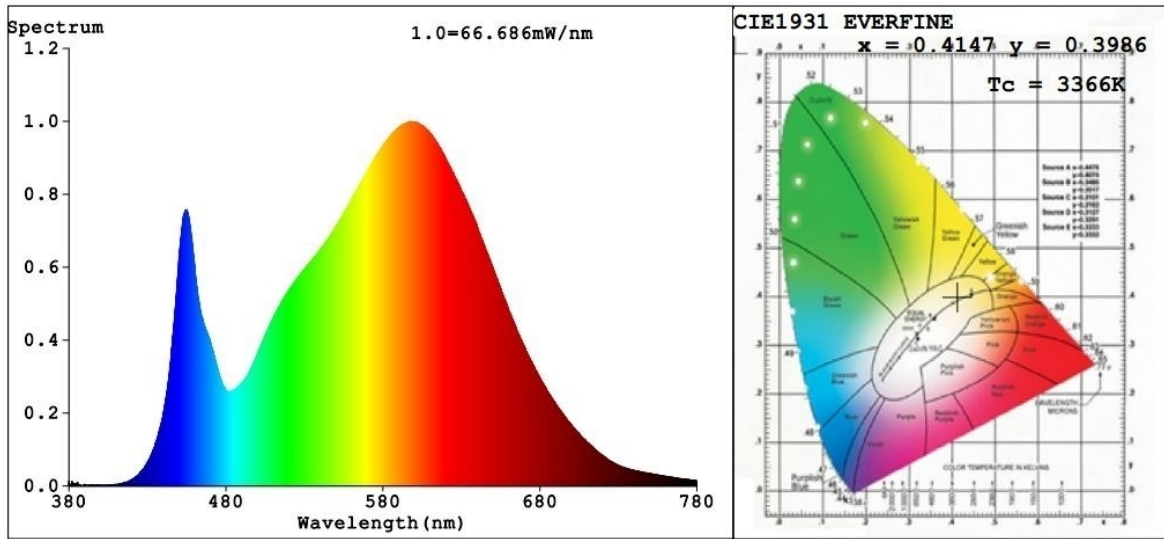
## ORDER INFORMATION

EXAMPLE: FSM22-DM-35E

Product category	Size	Dimming	Fixture wattage	CCT(XX)	CRI(E)
FSM	22=2'X2'	D= Dimming	L=27W M=40W	30=3000k 35=3500k 40=4000k 50=5000k	E=80 CRI



### SPECTRAL POWER DISTRIBUTION & CHROMATICITY DIAGRAM

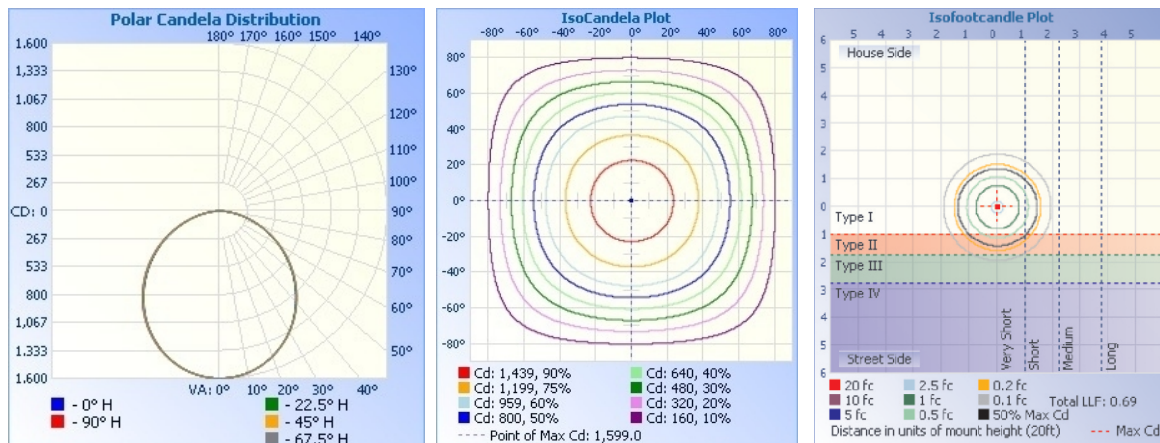


### ZONAL LUMEN TABULATION

Zonal Lumen Summary		
Zone	Lumens	%Luminaire
0-30	1232.3	28%
0-40	2,007.4	45.6%
0-60	3,503.5	79.6%
60-90	893.7	20.3%
70-100	367.2	8.3%
90-120	0.4	0%
0-90	4,397.2	100%
90-180	2.0	0%
0-180	4,399.2	100%

Lumens Per Zone					
Zone	Lumens	% Total	Zone	Lumens	% Total
0-10	151.1	3.4%	90-100	0.0	0%
10-20	431.5	9.8%	100-110	0.1	0%
20-30	649.6	14.8%	110-120	0.3	0%
30-40	775.1	17.6%	120-130	0.5	0%
40-50	792.4	18.0%	130-140	0.4	0%
50-60	703.7	16.0%	140-150	0.3	0%
60-70	526.5	12.0%	150-160	0.2	0%
70-80	295.7	6.7%	160-170	0.1	0%
80-90	71.4	1.6%	170-180	0.0	0%

### PHOTOMETRIC DATA



Height	Illuminance at a Distance	
	Center Beam fc	Beam Width
17.0ft	5.53 fc	47.1 ft 48.3 ft
34.0ft	1.38 fc	94.1 ft 96.5 ft
51.0ft	0.61 fc	141.2 ft 144.8 ft
68.0ft	0.35 fc	188.2 ft 193.0 ft
85.0ft	0.22 fc	235.3 ft 241.3 ft
102.0ft	0.15 fc	282.3 ft 289.5 ft

Vert. Spread: 108.3°  
Horiz. Spread: 109.7°

